

Monarflex® Stripe FireSmart®

For demanding weather conditions



- Suitable for Digiwrap and screen printing
- Flame retardant
- Certified to LPS 1207, LPS 1215
- Band reinforced with HDPE filament tapes
- Compatible with the high performance white Eurostrap fixing system which blends in with the sheet
- Lightweight for easy handling on site



Monarflex Stripe Firesmart is a mid range flame retardant high strength banded scaffold sheeting suitable for use in demanding conditions.

Features & Benefits

- Enhances the security for the workers on the scaffold.
- Serves as a climate shield to protect workers, machinery and open constructions against rain, wind, snow etc.
- Ensures a stable working climate on the scaffold so deadlines can be respected regardless of the weather.
- Protects the surroundings from any inconveniences e.g. particles or building dust from sandblasting or water jetting from facade works.

Choosing the right product

Placement of building site	Duration of building project			
	<3 months	3-6 months	6-12 months	>12 months
Surrounded by high buildings		Stripe Fire-Smart	Stripe Fire-Smart	
Urban/ industrial area		Stripe Fire-Smart	Stripe Fire-Smart	
Coast/ Offshore area	Stripe Fire-Smart	Stripe Fire-Smart	Stripe Fire-Smart	
Temporary roof covering system				
Interior	Stripe Fire-Smart	Stripe Fire-Smart	Stripe Fire-Smart	

Approvals

Should fire retardant sheeting be required on site then it's important to choose the right Monarflex scaffold sheeting product. Our products are certified to LPCB standards of LPS 1215 for Super T Plus Firesmart, Stripe Firesmart, Scaffband Flamesafe and TRC Flamesafe. In addition the Super T Plus Firesmart and Stripe Firesmart also have the LPS1207 certification.

Description

The Monarflex Stripe Firesmart is made from a three-ply composition with the two outer layers being made from a special highly weather resistant LPDE with flame retardant additives that encapsulates a strong polypropylene (PP) grid which forms the weather protection. On top of the sheet there are three bands of super high strength woven and plastic coated bands in pre-set patterns and pre-made holes in the bands per 100mm making it fit virtually any type of scaffold.

Performance and Properties

Material	Co-polymer FR LDPE
Reinforcement	10 x 12mm mesh from PP
Roll Sizes	2 x 45m, 2.25 x 40m, 3 x 45m, 4 x 36m
Colour	White
Weight per m²	232g
Tensile strength	700N/50mm
Eyelet pullout	880N
Conforms to	BS7955:1999, BS8410:2007
Fire approval	LPS 1215, LPS 1207
Applications	Internal and External use

Durability

Monarflex Stripe FireSmart can be used for all types of long-term projects up to a period of maximum 12 months. The product is designed for extreme weather conditions. The combination of high quality components forms a tough and durable sheeting for very extreme working conditions i.e. sandblasting and water-jetting. By using Monarflex Stripe FireSmart, you can meet deadlines and avoid economical surprises regardless of the weather and be safe in that it fulfils all relevant British Standards like BS7955:1999 and BS 8410:2007 as well as the high demanding LPS 1207 fire standard.

Application

Monarflex Stripe FireSmart should be applied horizontally while taking care to overlap the lower sheet externally for weather protection and overlap the lower sheet internally if used for containment. Fixing the sheeting to the scaffold must be done according to calculations taking factors like wind, building season and height of the surrounding buildings into consideration. We recommend the use of EuroStrap for Digiwrap or Flexitie fixings/m² but any fixing must be placed according to calculations for each project.

Delivery And Storage

The Monarflex Stripe FireSmart is supplied in pallets of 25 rolls for our 2m x 45m roll, with each roll individually wrapped in PE foil with label and name identification. The rolls must be stored lying on a pallet under cover and away from heat and direct sunlight.

Health And Safety

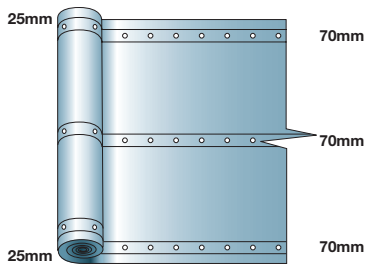
Health and safety data sheets are available for all materials. Please contact Icopal's Technical Services Department for further information.

Quality Assurance

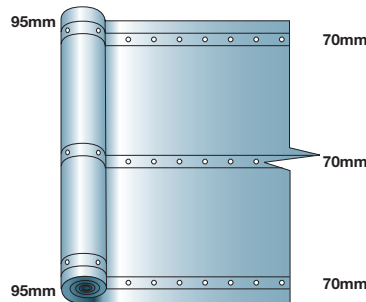
Monarflex Stripe Firesmart is manufactured under a Quality Mangement System approved to ISO 9001:2000 by BSI Quality Assurance.



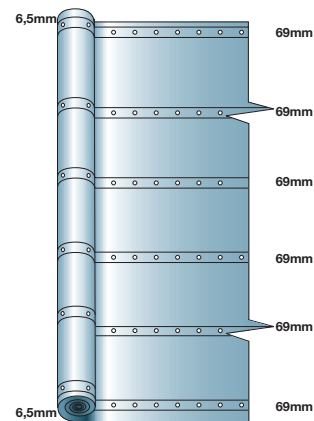
Roll Size: 2m x 45m



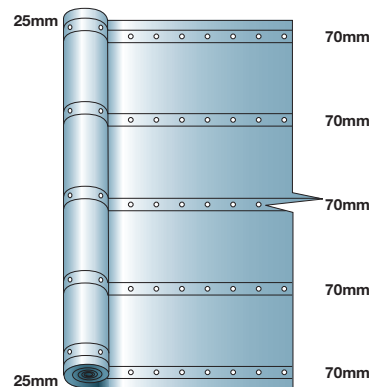
Roll Size: 2.25m x 45m



Roll Size: 3m x 45m



Roll Size: 3m x 45m



For further information call 0161 865 4444 or visit www.monarflex.co.uk

NOTE: This information is given in good faith being based on the latest knowledge available to Icopal Limited. Whilst every effort has been made to ensure that the contents of the publication are current while going to press, customers are advised that products, techniques and codes of practice are under constant review and liable to change without notice. Responsibility cannot be accepted for the application of products, and no claims can be considered, where the manufacturer's instructions have not been followed. The user should not assume, based on any information provided in this sheet, that the product is suitable for any abnormal use. All products are sold subject to our standard conditions of sale, available on request.

Icopal Limited Barton Dock Road, Stretford, Manchester M32 0YL ■ Tel +44(0)161 865 4444 ■ Fax +44(0)161 864 2616 ■ Email: info.uk@icopal.com

www.monarflex.co.uk

Monarflex® **Stripe FireSmart®**

Icopal Ltd
Barton Dock Road
Stretford
Manchester
United Kingdom
M32 0YL
Tel: +44 (0) 161 865 4444
Fax: +44 (0) 161 864 2616
info.uk@icopal.com
www.icopal.co.uk

IC03153
Dec 2015