

Monarflex® Super T Plus

For extreme weather conditions & long-term use



- Patented eyelet design
- Can withstand extreme working & weather conditions
- Protects works & environment
- Unique high performance fixing system
- Suitable for screen printing





Monarflex Super T Plus is the UK's market leading high performance scaffold sheeting, with exceptional strength and wind resistance and is proven to withstand the rigours of longterm construction or demolition work.

Features & Benefits

- Enhances the security for the workers on the scaffold.
- Serves as a climate shield to protect workers, machinery and open constructions against rain, wind, snow etc.
- Ensures a stable working climate on the scaffold so deadlines can be respected regardless of the weather.
- Protects the surroundings from any inconveniences e.g. particles or building dust from sandblasting or water jetting from facade works.

Choosing the right product

Placement of building site*	Duration of building project			
	<3 months	3-6 months	6-12 months	>12 months
Surrounded by high buildings		Super T Plus	Super T Plus	Super T Plus
Urban/ industrial area		Super T Plus	Super T Plus	Super T Plus
Coast/ Offshore area	Super T Plus	Super T Plus	Super T Plus	Super T Plus
Temporary roof covering system				
Interior				

Monarflex Super T Plus FireSmart

Monarflex Super T Plus is also available in a fire retardant option.

Please refer to the Super T Plus Firesmart overview.

Monarflex Product Range

Monarflex is one of the world's leading producers of reinforced scaffold sheeting. The Monarflex product range includes products for all types of projects in all types of weather. For more information visit www.monarflex.co.uk

Description

The Monarflex Super T Plus is made from a three-ply composition with the two outer layers being made from a special highly weather resistant co-polymer LDPE that encapsulates a super strong, high tenacity polyester grid which forms the weather protection. On top of the sheet there are rubber fixing eyelets in pre-set patterns that fit virtually any type of scaffold. The eyelets, which are a patented solution, are welded onto the sheet to provide the strongest and most durable eyelet fixing on the market.

Performance and Properties

Material	Co-polymer LDPE
Reinforcement	10 x 12mm mesh
Roll Sizes	2 x 45m, 2.25 x 40m, 3 x 45m, 4 x 36m
Colour	Clear or Green (Green on 2 x 45m)
Weight per m ²	245g
Tensile strength	>650N/50mm
Eyelet pullout	>800N
Conforms to	BS7955:1999, BS8410:2007
Applications	Clear – External use only

Durability

Monarflex Super T Plus can be used for all types of long-term projects exceeding 12 months. The product is designed for extreme weather conditions such as hurricane forces. The combination of high quality components form a tough and durable sheeting for very extreme working conditions i.e. sandblasting and water-jetting. By using Monarflex Super T Plus, you can meet deadlines and avoid economical surprises regardless of the weather and be safe in that it fulfils all relevant British Standards like BS 7955:1999 and BS 8410:2007 so you don't have to worry about living up to HSE requirements in terms of the sheeting material itself.

This is the only wind-tunnel tested system on the market. It resists wind induced stresses in all directions while remaining flexible enough to protect the sheeting from destructive strain.

Application

Monarflex Super T Plus can be applied both vertically and horizontally always taking care to overlap the lower sheet externally for weather protection and overlap the lower sheet internally if used for containment. The eyelets form a system that suit most standard scaffold systems. Fixing the sheeting to the scaffold must be done according to calculations taking factors like wind, building season and height of the surrounding buildings into consideration. We recommend the use of x 1 fixing/m² but any fixing must be placed according to calculations for each project.

The Monarflex Super T Plus should be used in conjunction with the unique high performance Anchor & Strap Fixing System.

Health And Safety

Health and safety data sheets are available for all materials. Please contact Icopal's Technical Services Department for further information.

Quality Assurance

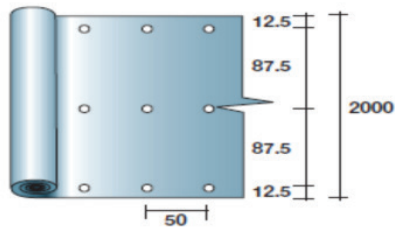
Monarflex Super T Plus is manufactured under a Quality Management System approved to ISO 9001: 2000 by BSI Quality Assurance.

Delivery And Storage

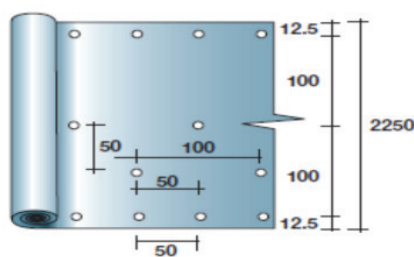
The Monarflex Super T Plus is supplied in pallets of 25 rolls for the 2m x 45 m roll size, with each roll individually wrapped in PE foil with label and name identification. The rolls must be stored lying on a pallet under cover and away from heat and direct sunlight.



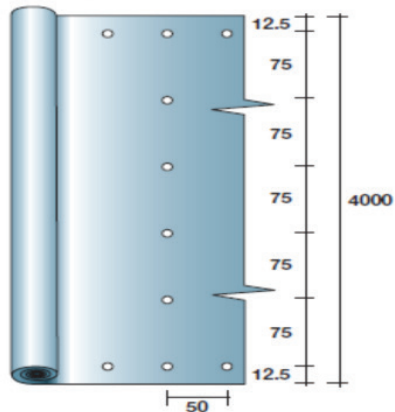
Roll Size: 2m x 45m
Eyelets per roll: 270



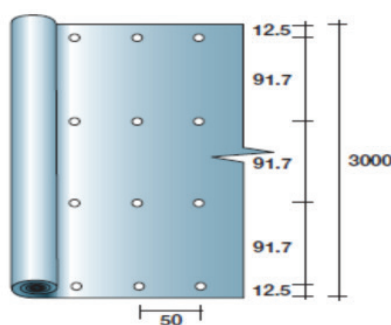
Roll Size: 2.25m x 40m
Eyelets per roll: 240



Roll Size: 4m x 36m
Eyelets per roll: 288



Roll Size: 3m x 45m
Eyelets per roll: 360



Certificate No: Q5556



For further information call 0161 865 4444 or visit www.monarflex.co.uk

NOTE: This information is given in good faith being based on the latest knowledge available to Icopal Limited. Whilst every effort has been made to ensure that the contents of the publication are current while going to press, customers are advised that products, techniques and codes of practice are under constant review and liable to change without notice. Responsibility cannot be accepted for the application of products, and no claims can be considered, where the manufacturer's instructions have not been followed. The user should not assume; based on any information provided in this sheet, that the product is suitable for any abnormal use. All products are sold subject to our standard conditions of sale, available on request.

Icopal Limited Barton Dock Road, Stretford, Manchester M32 0YL ■ Tel+44(0)161 865 4444 ■ Fax+44(0)161 864 2616 ■ Email: info.uk@icopal.com

www.monarflex.co.uk

Monarflex[®] **Super T Plus**

Icopal Ltd
Barton Dock Road
Stretford
Manchester
United Kingdom
M32 0YL
Tel: +44 (0) 161 865 4444
Fax: +44 (0) 161 864 2616
info.uk@icopal.com
www.icopal.co.uk

IC03153
Dec 2015