

## Monarflex® Scaffband Flamesafe

For medium term use



- Flame retardant
- Certified to LPS 1215
- Band reinforced with HDPE filament tapes
- Choice of high performance Flexities or EuroStrap fixing system
- Lightweight for easy handling on site
- Suitable for screen printing





**Scaffband Flamesafe is an economy fire retardant scaffold sheeting recommended for use in low rise, shorter term projects that are not exposed to high wind risk.**

#### Features & Benefits

- Enhances the security for the workers on the scaffold.
- Serves as a climate shield to protect workers, machinery and open constructions against rain, wind, snow etc.
- Ensures a stable working climate on the scaffold so deadlines can be respected regardless of the weather.
- Protects the surroundings from any inconveniences e.g. particles or building dust from sandblasting or water jetting from facade works.

#### Choosing the right product

Placement of building site	Duration of building project			
	<3 months	3-6 months	6-12 months	>12 months
Surrounded by high buildings	Scaff-band Flame-safe	Scaff-band Flame-safe		
Urban/ industrial area	Scaff-band Flame-safe	Scaff-band Flame-safe		
Coast/ Offshore area	Scaff-band Flame-safe			
Temporary roof covering system				
Interior				

#### Approvals

Should fire retardant sheeting be required on site then it's important to choose the right Monarflex scaffold sheeting product. Our products are certified to LPCB standards of LPS 1215 for Super T Plus Firesmart, Stripe Firesmart, Scaffband Flamesafe and TRC Flamesafe. In addition the Super T Plus Firesmart and Stripe Firesmart also have the LPS1207 certification.

#### Description

Monarflex Scaffband Flamesafe is made from a three ply composition with the two outer layers being made from a weather resistant LDPE with flame retarder additives that encapsulates a strong multifilament polyester (PET) grid which forms the weather protection. On top of the sheet there are fixing bands of super high strength weave with a double coating over the bands to provide high durability. The bands are in pre-set patterns and with pre-made holes per 100 mm making it fit virtually any type of scaffold.

#### Performance and Properties

Material	LDPE with flame retarder
Weave	9 x 12mm mesh 1670 dtex PET
Roll Sizes	2 x 45m, 2.25 x 40m, 3 x 45m
Colour	White
Weight per m <sup>2</sup>	175g
Tensile strength	650N/50mm
Pull out strength	700N
Conforms to	BS7955:1999, BS8410:2007
Fire approval	LPS1215
Applications	External use only

#### Durability

Monarflex Scaffband Flamesafe can be used for all types of short-term projects up to a period of maximum 6 months. The product is designed for normal weather conditions found in urban areas with low rise buildings. The combination of high quality components forms a tough and durable sheeting for working conditions like façade renovation. By using Monarflex Scaffband Flamesafe you can meet deadlines and avoid economical surprises regardless of the weather and be safe in that it fulfils all relevant British Standards like BS7955:1999 and BS 8410: 2007.

### Application

Monarflex Scaffband FlameSafe should be applied horizontally while taking care to overlap the lower sheet externally for weather protection and overlap the lower sheet internally if used for containment. Fixing the sheeting to the scaffold must be done according to calculations taking factors like wind, building season and height of the surrounding buildings into consideration. We recommend the use of x 1 Monarflex Flexitie fixing/m<sup>2</sup> but any fixing must be placed according to calculations for each project.

### Delivery And Storage

The Monarflex Scaffband FlameSafe is supplied in pallets of 30 rolls for the 2 and 2.25 m width and 16 rolls per pallet for the 3m width. Each roll is individually wrapped in PE foil with label and name identification. The rolls must be stored undercover, lying on a pallet and away from heat and direct sunlight.

### Health And Safety

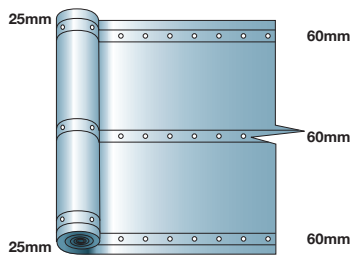
Health and safety data sheets are available for all materials. Please contact Icopal's Technical Services Department for further information.

### Quality Assurance

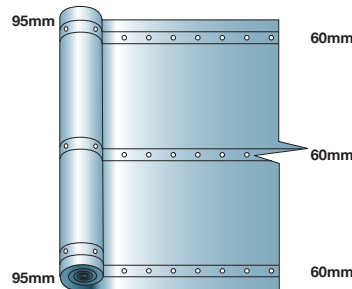
Monarflex Scaffband Flamesafe is manufactured under a Quality Management System approved to ISO 9001: 2000 by BSI Quality Assurance.



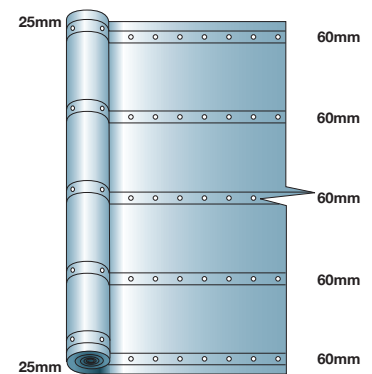
Roll Size: 2m x 45m



Roll Size: 2.25m x 45m



Roll Size: 3m x 45m



**For further information call 0161 865 4444 or visit [www.monarflex.co.uk](http://www.monarflex.co.uk)**

NOTE: This information is given in good faith being based on the latest knowledge available to Icopal Limited. Whilst every effort has been made to ensure that the contents of the publication are current while going to press, customers are advised that products, techniques and codes of practice are under constant review and liable to change without notice. Responsibility cannot be accepted for the application of products, and no claims can be considered, where the manufacturer's instructions have not been followed. The user should not assume; based on any information provided in this sheet, that the product is suitable for any abnormal use. All products are sold subject to our standard conditions of sale, available on request.

Icopal Limited Barton Dock Road, Stretford, Manchester M32 0YL ■ Tel +44(0)161 865 4444 ■ Fax +44(0)161 864 2616 ■ Email: [info.uk@icopal.com](mailto:info.uk@icopal.com)

[www.monarflex.co.uk](http://www.monarflex.co.uk)

# Monarflex<sup>®</sup> Scaffband Flamesafe

Icopal Ltd  
Barton Dock Road  
Stretford  
Manchester  
United Kingdom  
M32 0YL  
Tel: +44 (0) 161 865 4444  
Fax: +44 (0) 161 864 2616  
info.uk@icopal.com  
www.icopal.co.uk

IC03154  
Dec 2015