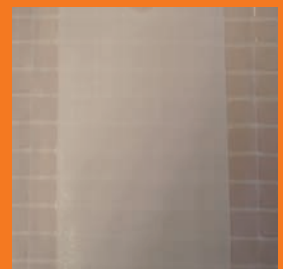


Monarflex TRC Flamesafe

Flame retardant temporary roof covering system



- LPS 1215 certified
- Flame retardant
- High strength
- Easy and flexible to handling on site
- Economical protection and containment of roof structures
- High durability against UV ageing





Monarflex TRC Flamesafe is recommended for temporary roof covering jobs where flame retardancy is an issue and where the LPS 1215 certification is required. The product is suitable for jobs with duration of up to 12 months and where the underlying structure allows for mechanical fixing of the sheeting.

Features & Benefits

- Enhances the security for the workers on the scaffold.
- Serves as a climate shield to protect workers, machinery and open constructions against rain, wind, snow etc.
- Ensures a stable working climate on the scaffold so deadlines can be respected regardless of the weather.
- Protects the surroundings from any inconveniences e.g. particles or building dust from sandblasting or water jetting from roof renovation works.
- High light transmission.

Choosing the right product

Placement of building site	Duration of building project			
	<3 months	3-6 months	6-12 months	>12 months
Surrounded by high buildings				
Urban/ industrial area				
Coast/ Offshore area				
Temporary roof covering system	TRC Flame-safe	TRC Flame-safe	TRC Flame-safe	
Interior				

Approvals

Should fire retardant sheeting be required on site then it's important to choose the right Monarflex scaffold sheeting product. Our products are certified to LPCB standards of LPS 1215 for Super T Plus Firesmart, Stripe Firesmart, Scaffoldband Flamesafe and TRC Flamesafe. In addition the Super T Plus Firesmart and Stripe Firesmart also have the LPS1207 certification.

Description

The Monarflex Temporary Roof Cover Flamesafe (TRC) is made from a three ply composition with the two outer layers being made from a extremely heavy duty weather resistant LDPE with flame retardant additives that encapsulates a strong multifilament polyester (PET) grid which forms the weather protection. On top of the sheet there are fixing bands of super high strength weave with a double coating over the bands to provide high durability. The bands are in pre-set pattern with 5 bands across the width and no pre made holes for optimal strength of the fixing.

Performance and Properties

Material	LDPE
Reinforcement	9 x 12mm mesh, 1670 dtex PET
Roll Sizes	3.35 x 50m
Colour	White
Weight per m²	335g
Tensile strength	>650N/50mm
Pullout strength	>700N
Conforms to	BS7955:1999, BS8410:2007
Fire approval	LPS 1215
Fixing bands	5 bands across the width
Applications	External use only

Durability

Monarflex Temporary Roof Cover Flamesafe (TRC) can be used for roof work projects with a duration period of maximum 12 months. The product is designed for extreme weather conditions, which roofs are normally put through. The combination of high quality components forms a tough and durable sheeting for working conditions found in roofing works, such as renovation jobs. By using Monarflex Temporary Roof Cover Flamesafe you will get a durable and safe solution that will enable you to met deadlines and avoid economical surprises regardless of the weather and be safe in that it fulfils all relevant British Standards like BS7955:1999 and BS 8410:2007.

Application

Monarflex Temporary Roof Cover (TRC) should be applied on a scaffold roof structure where a mechanical fixing of the sheeting can be made. Before installing the sheeting always consult current national regulations and health and safety rules and guidelines from the scaffold manufacture. The application must always be down from the outside in to ensure a secure fixing of the sheeting.

Delivery And Storage

The Monarflex Temporary Roof Cover (TRC) is supplied in pallets of 16 rolls. Each roll is individually wrapped in PE foil with label and name identification.

The rolls must be stored lying on a pallet under cover and away from heat and direct sun light.

Health And Safety

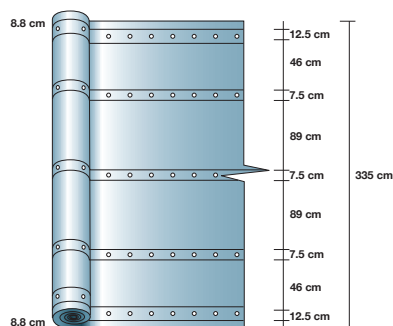
Health and safety data sheets are available for all materials. Please contact Icopal's Technical Services Department for further information.

Quality Assurance

Monarflex Temporary Roof Cover (TRC) is manufactured under a Quality Management System approved to ISO 9001: 2000 by BSI Quality Assurance.



Roll Size: 3.35m x 50m



For further information call 0161 865 4444 or visit www.monarflex.co.uk

NOTE: This information is given in good faith being based on the latest knowledge available to Icopal Limited. Whilst every effort has been made to ensure that the contents of the publication are current while going to press, customers are advised that products, techniques and codes of practice are under constant review and liable to change without notice. Responsibility cannot be accepted for the application of products, and no claims can be considered, where the manufacturer's instructions have not been followed. The user should not assume; based on any information provided in this sheet, that the product is suitable for any abnormal use. All products are sold subject to our standard conditions of sale, available on request.

Icopal Limited Barton Dock Road, Stretford, Manchester M32 0YL ■ Tel+44(0)161 865 4444 ■ Fax +44(0)161 864 2616 ■ Email: info.uk@icopal.com

www.monarflex.co.uk

Monarflex[®] TRC Flamesafe

Icopal Ltd
Barton Dock Road
Stretford
Manchester
United Kingdom
M32 0YL
Tel: +44 (0) 161 865 4444
Fax: +44 (0) 161 864 2616
info.uk@icopal.com
www.icopal.co.uk

IC03161
Dec 2015