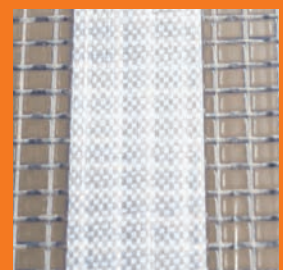


# Monarflex® TRC Clear

Heavy duty temporary roof covering system



- High light transmission
- High strength
- Band reinforced with wide HDPE filament tapes for easy and secure fixing
- Easy and flexible to handling on site
- Economical protection and containment of roof structures
- High durability against UV ageing





**Monarflex TRC Clear is recommended for temporary roof covering jobs of up to 12 month duration and where the underlying structure allows for mechanical fixing of the sheeting.**

**Features & Benefits**

- Transparent.
- Enhances the security for the workers on the scaffold.
- Serves as a climate shield to protect workers, machinery and open constructions against rain, wind, snow etc.
- Ensures a stable working climate on the scaffold so deadlines can be respected regardless of the weather.
- Protects the surroundings from any inconveniences e.g. particles or building dust from sandblasting or water jetting from roof renovation works.

**Choosing the right product**

Duration of building project				
Placement of building site	<3 months	3-6 months	6-12 months	>12 months
Surrounded by high buildings				
Urban/ industrial area				
Coast/ Offshore area				
Temporary roof covering system	TRC Clear	TRC Clear	TRC Clear	
Interior				

**Description**

The Monarflex Temporary Roof Cover (TRC) is made from a three-ply composition with the two outer layers being made from an extremely heavy duty weather resistant LDPE that encapsulates a strong multifilament polyester (PET) grid which forms the weather protection. On top of the sheet there are fixing bands of super high strength weave with a double coating over the bands to provide high durability. The bands are in pre-set pattern with 5 bands across the width and no pre-made holes for optimal strength of the fixing.

**Performance and Properties**

<b>Material</b>	LDPE
<b>Reinforcement</b>	9 x 12mm mesh, 1670 dtex PET
<b>Roll Sizes</b>	3.35 x 50m
<b>Colour</b>	Clear
<b>Weight per m<sup>2</sup></b>	310g
<b>Tensile strength</b>	>650N/50mm
<b>Pullout strength</b>	>700N
<b>Conforms to</b>	BS7955:1999, BS8410:2007
<b>Fixing bands</b>	5 bands across the width
<b>Applications</b>	External use only

## Durability

Monarflex Temporary Roof Cover (TRC) can be used for roof work projects with a duration period of maximum 12 months. The product is designed for extreme weather conditions, which roofs are normally put through. The combination of high quality components forms a tough and durable sheeting for working conditions found in roofing works, such as renovation jobs. By using Monarflex Temporary Roof Cover you will get a durable and safe solution that will enable you to meet deadlines and avoid economical surprises regardless of the weather and be safe in that it fulfils all relevant British Standards like BS7955:1999 and BS 8410:2007.

## Application

Monarflex Temporary Roof Cover (TRC) should be applied on a scaffold roof structure where a mechanical fixing of the sheeting can be made. Before installing the sheeting always consult current national regulations and health and safety rules and guidelines from the scaffold manufacture. The application must always be down from the outside in to ensure a secure fixing of the sheeting.

## Delivery And Storage

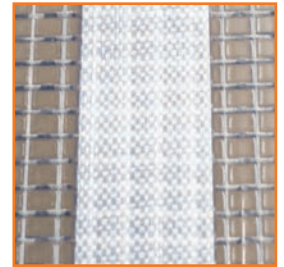
The Monarflex Temporary Roof Cover (TRC) is supplied in pallets of 16 rolls. Each roll is individually wrapped in PE foil with label and name identification. The rolls must be stored lying on a pallet under cover and away from heat and direct sun light.

## Health And Safety

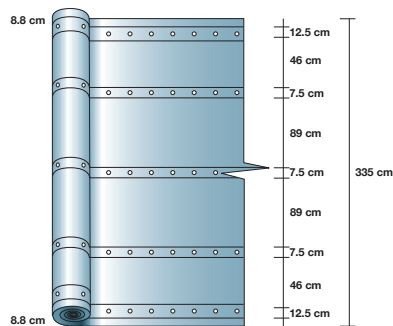
Health and safety data sheets are available for all materials. Please contact Icopal's Technical Services Department for further information.

## Quality Assurance

Monarflex Temporary Roof Cover (TRC) is manufactured under a Quality Management System approved to ISO 9001: 2000 by BSI Quality Assurance.



Roll Size: 3.35m x 50m



Certificate No: Q5556

**For further information call 0161 865 4444 or visit [www.monarflex.co.uk](http://www.monarflex.co.uk)**

NOTE: This information is given in good faith being based on the latest knowledge available to Icopal Limited. Whilst every effort has been made to ensure that the contents of the publication are current while going to press, customers are advised that products, techniques and codes of practice are under constant review and liable to change without notice. Responsibility cannot be accepted for the application of products, and no claims can be considered, where the manufacturer's instructions have not been followed. The user should not assume; based on any information provided in this sheet, that the product is suitable for any abnormal use. All products are sold subject to our standard conditions of sale, available on request.

Icopal Limited Barton Dock Road, Stretford, Manchester M32 0YL ■ Tel +44(0)161 865 4444 ■ Fax +44(0)161 864 2616 ■ Email: [info.uk@icopal.com](mailto:info.uk@icopal.com)

[www.monarflex.co.uk](http://www.monarflex.co.uk)

# Monarflex<sup>®</sup> TRC Clear

Icopal Ltd  
Barton Dock Road  
Stretford  
Manchester  
United Kingdom  
M32 0YL  
Tel: +44 (0) 161 865 4444  
Fax: +44 (0) 161 864 2616  
info.uk@icopal.com  
www.icopal.co.uk

IC03162  
Dec 2015